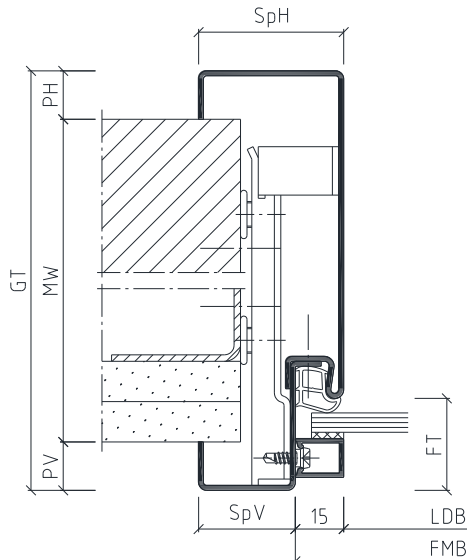


Included in scope of delivery:

- Window frame
- Elastic hollow chamber seal (separate)
- Aluminium glazing beads
- 4x glazing bead covers



15ZBud for brick and stud walls

To be supplied on site:

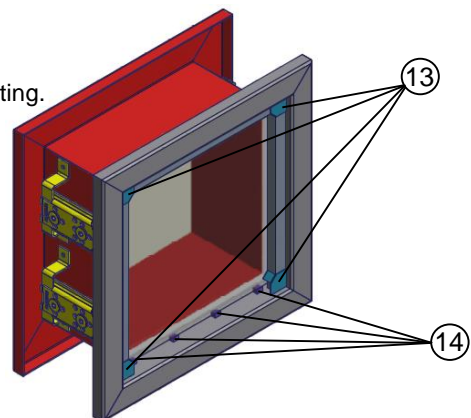
- Fastening for the levelling anchors
- Glazing tape
- Glazing
- Plastic or hardwood blocks, 5mm
- Dowels and screws for brick walls
- Drilling screws for stud walls

- FMB = Frame rebate width
- FT = Rebate depth
- GT = Total profile depth
- LDB = Clearance width
- MW = Receiving opening
- OFF = Finished floor level
- PH = Back backbend
- PV = Front backbend
- RRB = Structural wall opening width
- SpH = Back architrave
- SpV = Front architrave

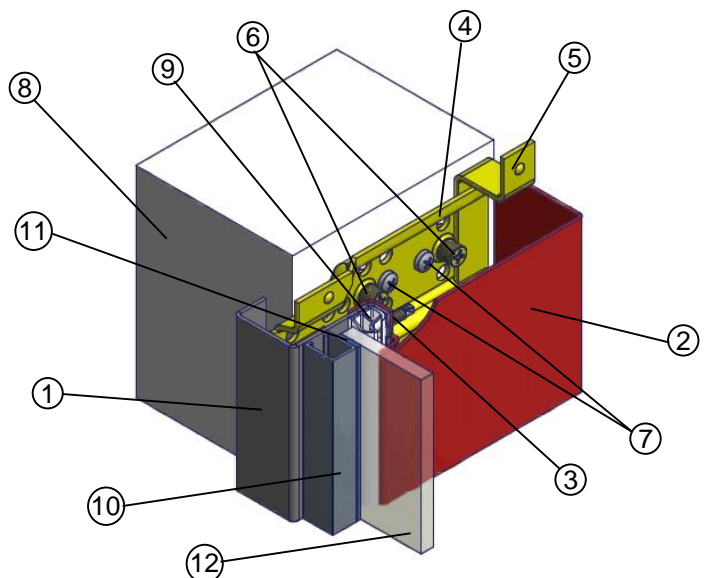
Please note: Read the installation instructions carefully before starting. Installation should be carried out by suitably trained personnel!

Before installation:

- Check that the steel frame conforms to the planning specifications of the client.
- Check the angularity of the frame.



- (1) Front part
- (2) Back part
- (3) Drilling screw
- (4) Levelling anchor
- (5) Guiding anchor
- (6) Levelling screws (2 per anchor)
- (7) Drilling screws for stud walls, dowels and screws for brick walls (2 per anchor, not included)
- (8) Wall
- (9) Elastic hollow chamber seal
- (10) Aluminium glazing bead
- (11) Glazing tape (not included)
- (12) Glazing (not included)
- (13) Glazing bead covers
- (14) Plastic or hardwood blocks (not included)



These installation instructions do not include static information.

Best Of Steel | 1

Attention: Please note the instructions for glass size calculation given on page 3 before installation!

1. The frame is delivered assembled. Use a screwdriver to unscrew the drilling screws (3) and then separate the front part (1) from the back part (2).
2. Push the front part (1) into the wall opening.
3. Align the levelling anchors (4) of the front part (1) horizontally and vertically, using the levelling screws (6) and a spirit level.

Important: At least two threads of the levelling screws (6) must engage in the levelling anchor (4).

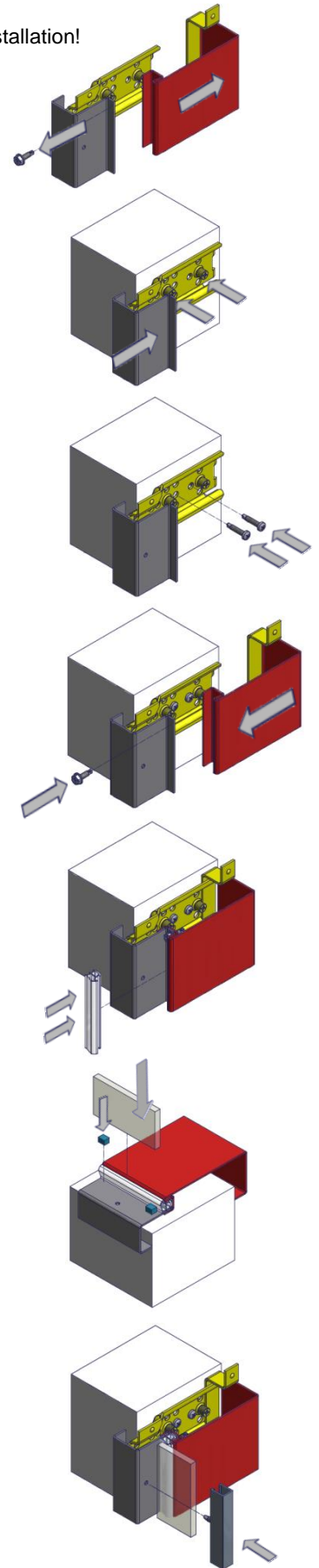
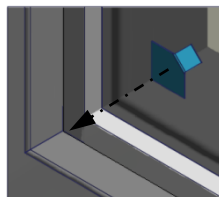
- 4a. **Stud walls:**
Fasten the aligned front part (1) via the given holes in the levelling anchor (4) securely to the UA profile using at least 2 drilling screws (7) per anchor.
- 4b. **Brick walls:**
Mark the position of the holes given in the levelling anchor (4) on the wall (8) and pre-drill. Fasten the front part (1) securely to the wall using at least 2 dowels and screws (7) per anchor.

5. Join the front (1) and back (2) part. When sliding on the back part (2), make sure that the guiding anchor (5) engages in the levelling anchor (4) (see horizontal section on page 1).

Connect the front (1) and back part (2) in the seal groove using drilling screws (3).

6. Insert the elastic hollow chamber seal (9).
7. Place plastic or hardwood blocks (14) in the window frame. Position the glazing (12) on the blocks (14) in such a way that an even distance to the frame on all sides is ensured.
8. Glue the glazing tape (11) neatly on the back of the aluminium glazing beads (10).
Attention: The aluminium glazing beads (10) must be coated ready for use.
Clip the aluminium glazing beads (10) onto the screws, thus connecting them to the window frame.

9. Push the glazing bead covers (13) onto the glazing beads (10).



These installation instructions do not include static information.

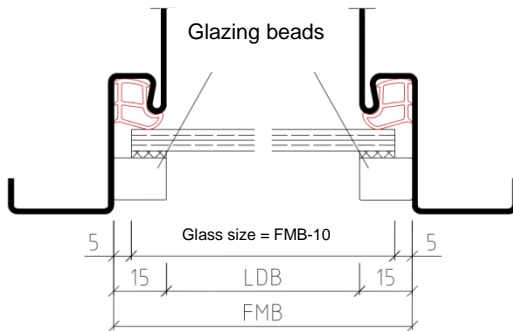
Best Of Steel | 2

Seals

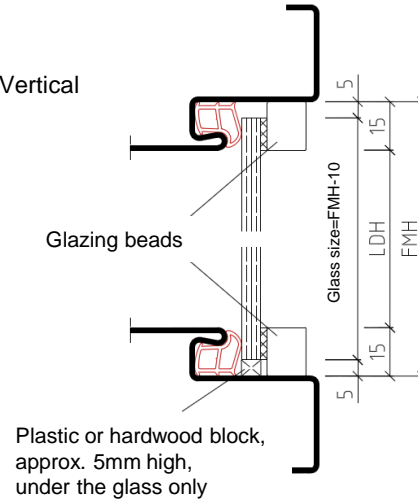
Do not use nitro-based paint. Push the seal into the headpiece first without a mitre and do not stretch when inserting. Only use soft detergents when cleaning.

Glass size calculation

Horizontal



Vertical



Please note:

The profile forms and measurements can differ from those illustrated in the installation instructions. Further installation tips can be found in the TTZ Installation Guidelines at www.BestOfSteel.de/en/tools-downloads.

If the frames are used in combination with fire and/or sound protection door leaves, the mounting parts and installation instructions from the authorisation holder must be followed!

The transport packaging is disposed of by BOS Best Of Steel in cooperation with Zentek (within Germany).

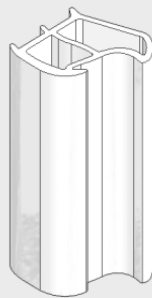
Maintenance Instructions

In order to ensure a proper functioning of the frame, a regular inspection and rectification of any defects identified is recommended.

General condition: Please check the frame and the door leaf for any mechanical or corrosion damage. These types of damage must be rectified!

Seals

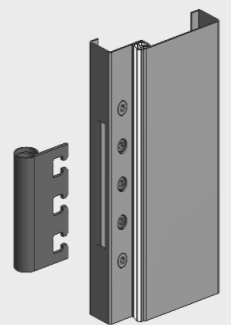
These are to be checked for damage, a proper fit and wear. Damaged seals should be replaced. Dirt on the seals can be removed using commercial detergent.



Elastic hollow chamber seal

Hinge pockets

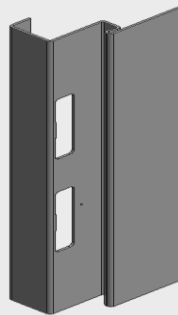
Please control the fastening of the hinges and tighten the screws if necessary. Replace worn parts.



VX hinge pocket with 3 clamping screws and 2 adjustment screws

Latch/Bolt cut-out

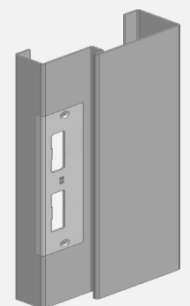
Please check the area of the latch/bolt cut-out for defects. Any damages should be correctly repaired.



Latch/Bolt cut-out

Attachments

Please check the fastenings of all attachment parts (striking plates, door closers etc.) and tighten the screws where necessary. Damaged parts should be replaced.



Striking plate

Stainless steel frames

For the care of stainless steel frames please refer to our instructions:
www.bestofsteel.de/en/tools-downloads